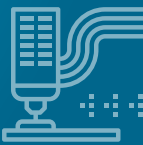
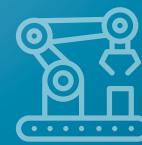
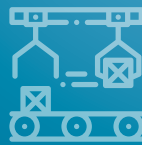
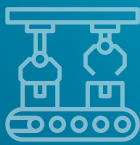




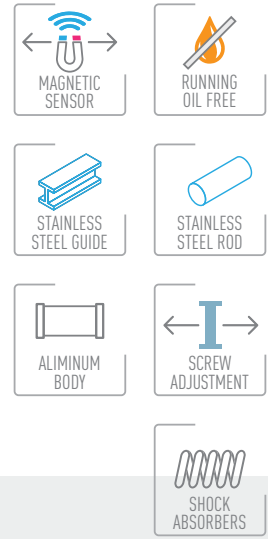
BORN TO BE
PRECISE



PRYD-A Series
SLIDE CYLINDER
Ø6 - Ø25

ONE BRAND, COMPLETE SOLUTIONS
IN PNEUMATIC AUTOMATION

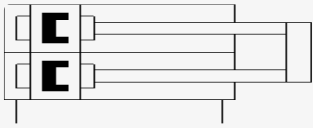




PRYD-A Series

Ø6 - Ø25

SLIDE CYLINDER



- OPTIMUM PRICE HIGH PERFORMANCE
- PRECISION AND RIGID GUIDING
- HIGH PARALLELISM IN FINAL POSITION
- PRECISE STROKE ADJUSTMENT IN FINAL POSITIONS WITH SHOCK ABSORBER or ADJUSTABLE METAL END POSITION
- HIGH LOAD CAPACITY, POWERFUL PUSH AND PULL FORCES WITH DOUBLE PISTONS
- LONG WORKING LIFE
- READY MOUNTING HOLES ON BODY AND FLANGE
- END POSITION DETECTION WITH C CHANNEL MAGNETIC SENSOR
- IT CAN BE USED IN ALL SENSITIVE APPLICATIONS, ESPECIALLY TRANSPORT APPLICATIONS
- SHOCK ABSORBING OPTION TO MEET HIGH MASS MOMENTS OF INERTIA

TECHNICAL DATA

Product Size	8	12	16	20	25
Operating Temperature (°C)	-20 °C .. + 80 °C				
Working Fluid	Filtered (40 µm) and lubricated or filtered (40 µm) and non-lubricated air				
Operating Pressure	1,5-7 bar				
Speed Range (mm/s)	50-500				
Cushioning	Rubber bumper on both ends, optional shock absorber				
Stroke Tolerance (mm)	Strok ≤100 ^{+1,0} ₀ , Strok >100 ^{+1,5} ₀				

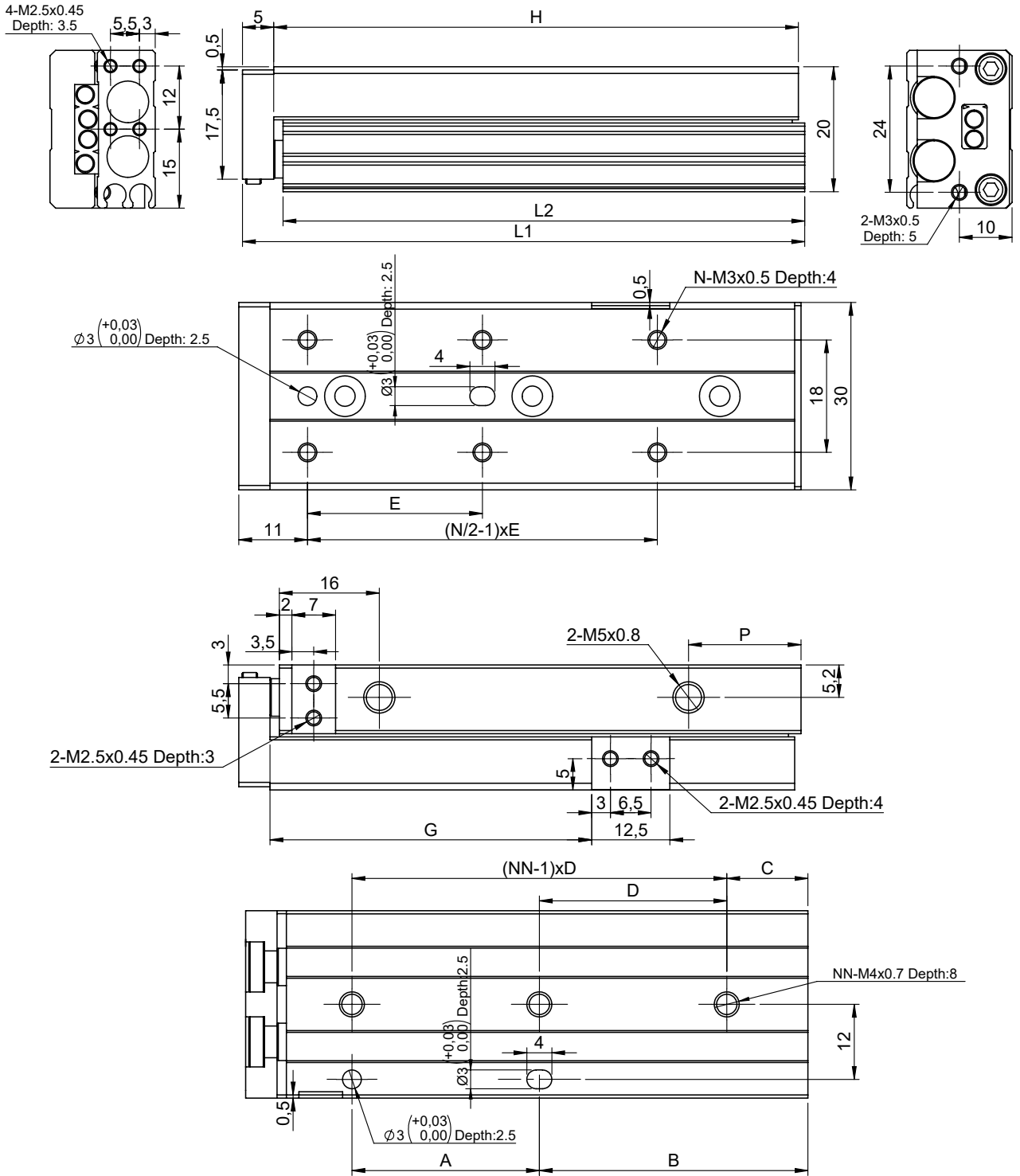
Product Diameter	Standard Stroke (mm)	Maximum Stroke (mm)
8	10-20-30-40-50-75	75
12	10-20-30-40-50-75-100	100
16	10-20-30-40-50-75-100-125	125
20	10-20-30-40-50-75-100-125-150	150
25	10-20-30-40-50-75-100-125-150	150

ORDER SAMPLE

PRYD-	A-	20	50	A
Product code	A: Magnetic Magnetic is standard	Ürün Çapı	Strok	AS: Ayarlanabilir Mekanik Dayama A: Şok Emicili

Ø6

PRYD-AS Ø6

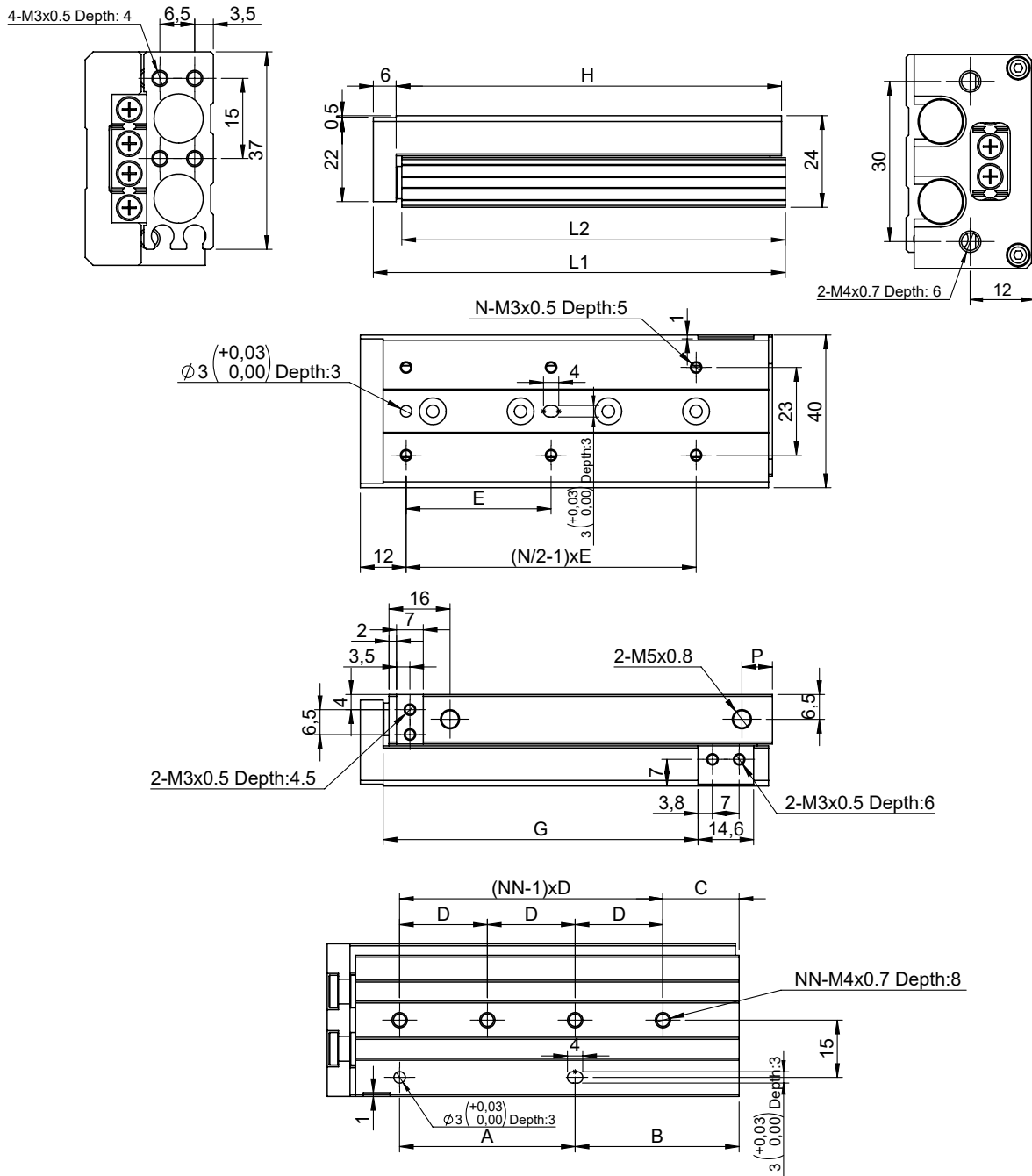


Cylinder Ø (mm)	A	B	C	D	E	G	H	P	L1	L2	N	NN
10	20	11	6	25	20	21.5	42	9.5	48	41.5	4	2
20	20	21	6	35	30	31.5	52	9.5	58	51.5	4	2
30	20	31	11	20	20	41.5	62	8	68	61.5	6	3
40	30	43	13	30	28	51.5	84	18	90	83.5	6	3
50	48	41	17	24	38	61.5	100	24	106	99.5	6	4



Ø8

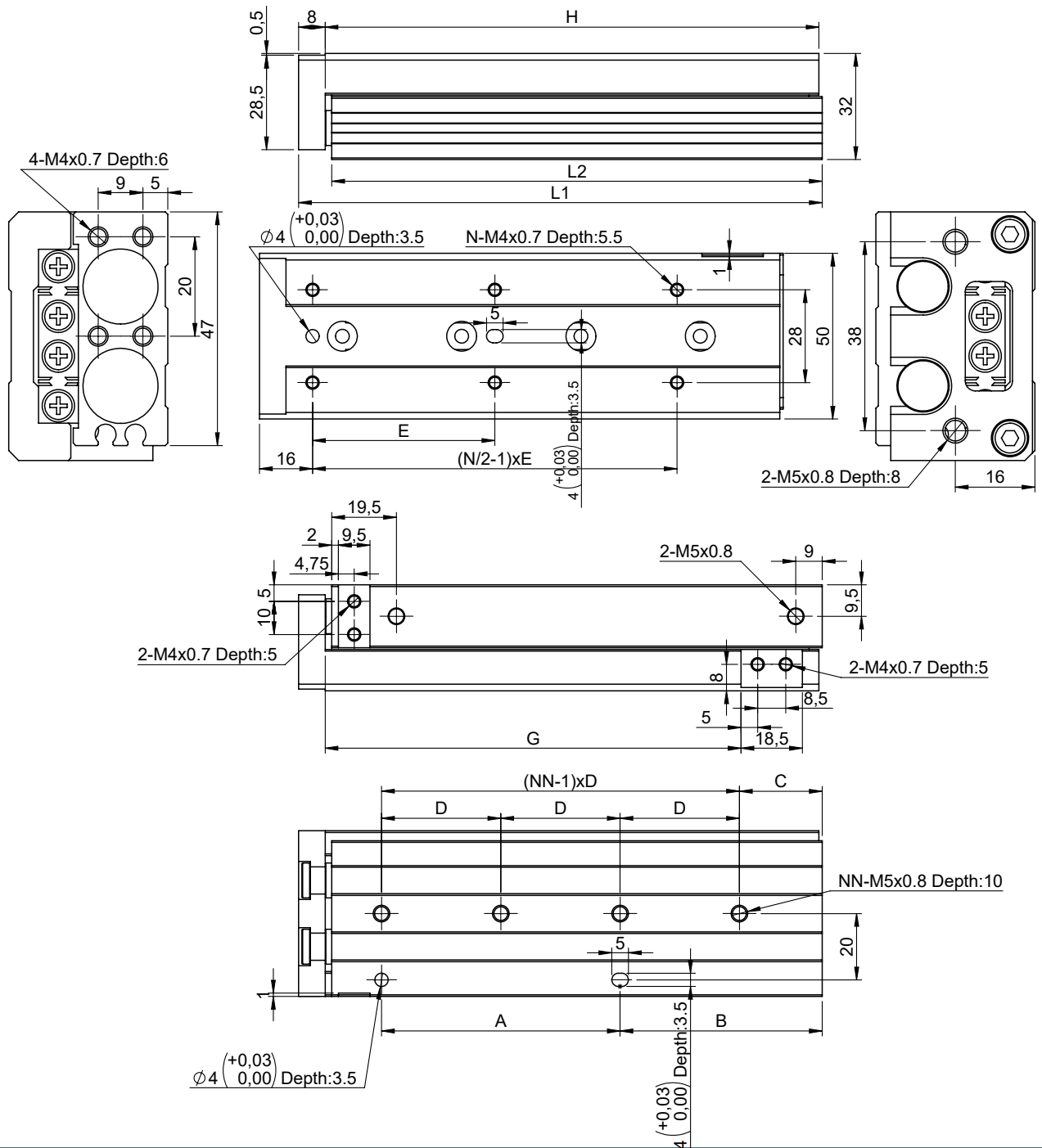
PRYD-PRYD-AS Ø8



Cylinder Ø (mm)	A	B	C	D	E	G	H	P	L1	L2	N	NN
10	20	17	9	28	25	23.5	49	13	56	48.5	4	2
20	30	12	12	30	25	33.5	54	8	61	53.5	4	2
30	20	33	13	20	40	43.5	65	8	72	64.5	4	3
40	28	43	15	28	50	53.5	83	8	90	82.5	4	3
50	46	43	20	23	38	63.5	101	8	108	100.5	6	4
75	56	83	27	28	50	88.5	151	8	158	150.5	6	5

Ø12

PRYD-PRYD-AS Ø12

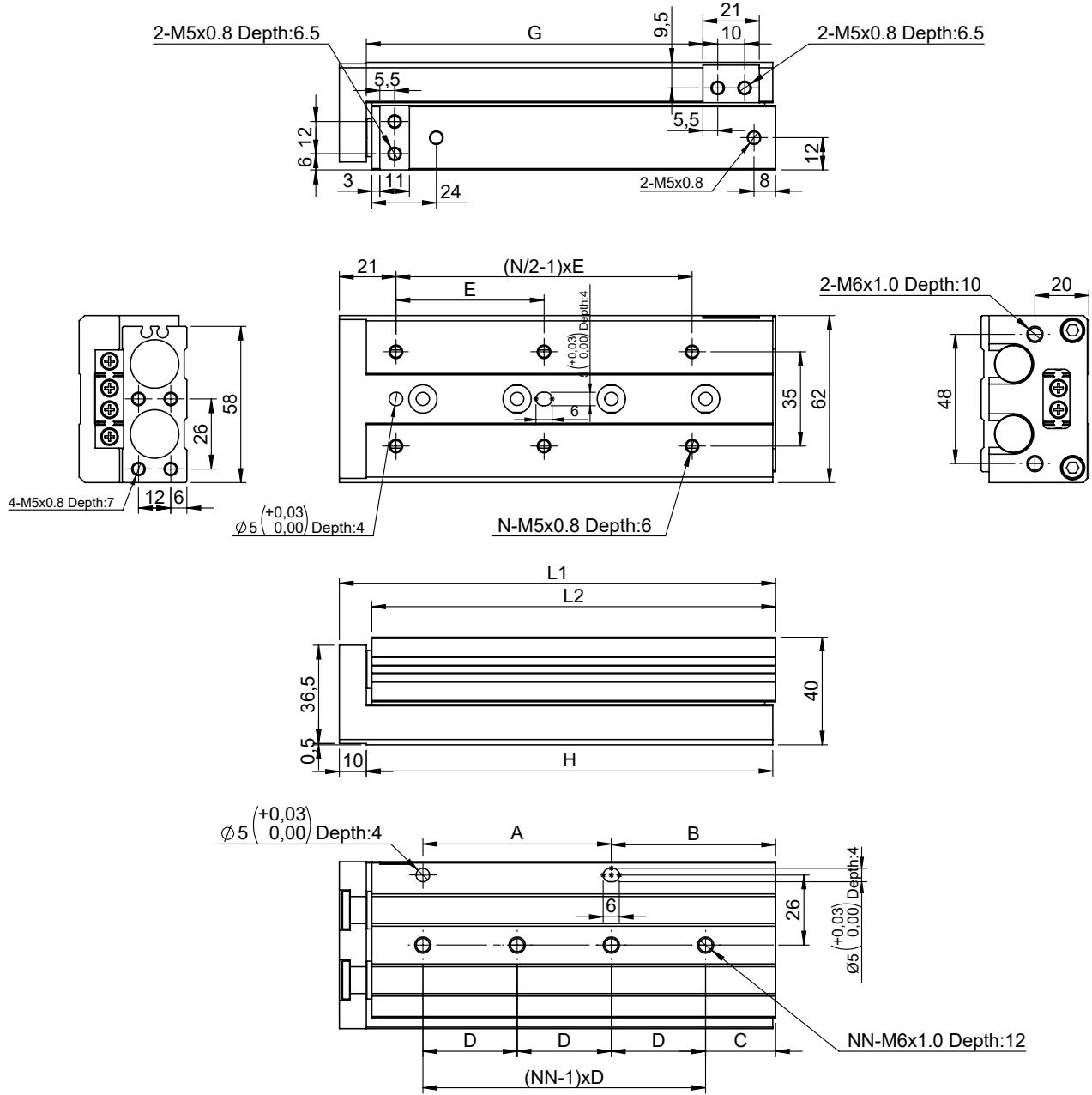


Cylinder Ø (mm)	A	B	C	D	E	G	H	L1	L2	N	NN
10	40	15	15	40	35	26.5	71	80	70	4	2
20	40	15	15	40	35	36.5	71	80	70	4	2
30	40	15	15	40	35	46.5	71	80	70	4	2
40	25	42	17	25	50	56.5	83	92	82	4	3
50	36	51	15	36	35	66.5	103	112	102	6	3
75	72	61	25	36	55	91.5	149	158	148	6	4
100	76	111	35	38	65	116.5	203	212	202	6	5



Ø16

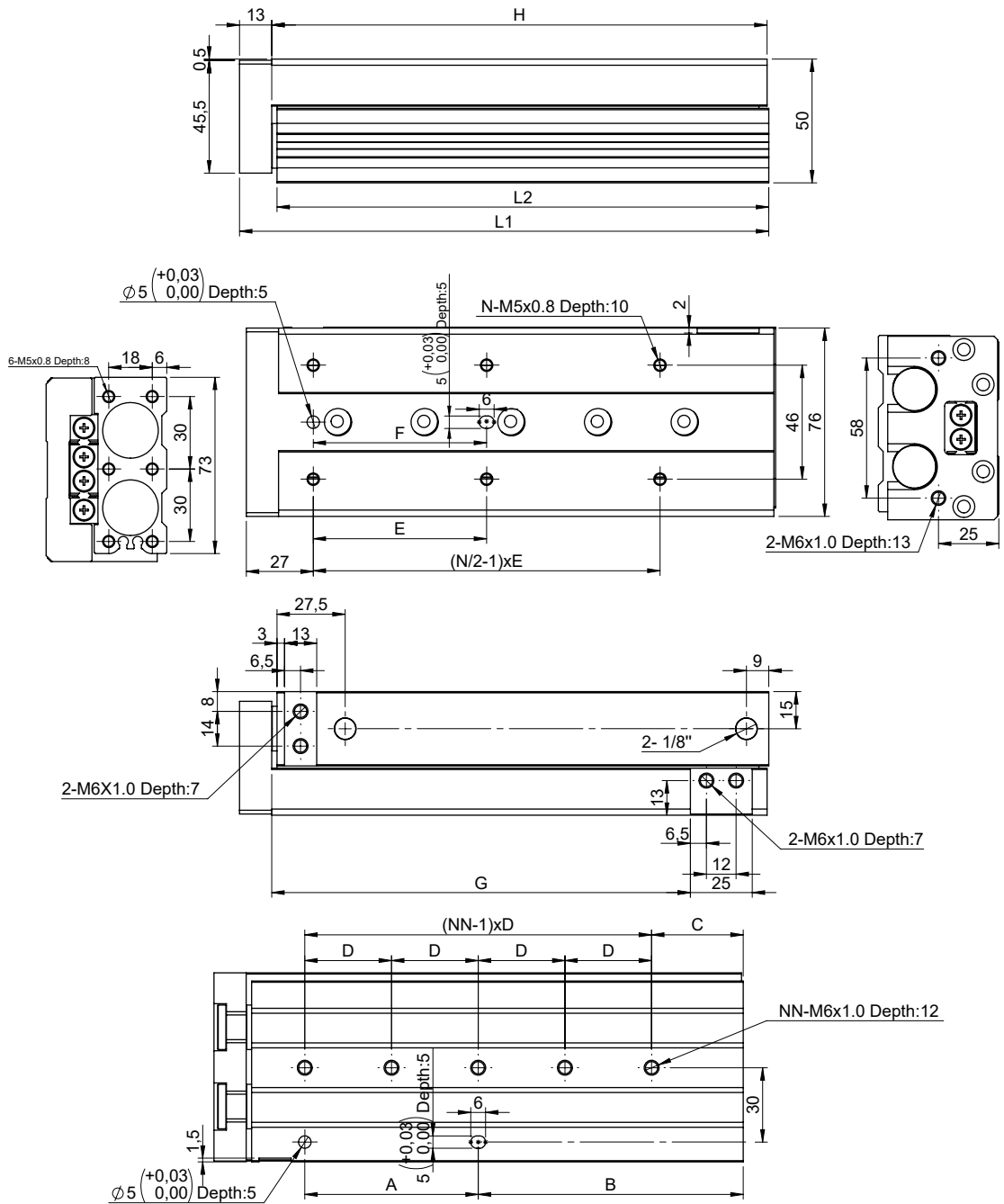
PRYD - PRYD-AS Ø16



Cylinder Ø (mm)	A	B	C	D	E	G	H	L1	L2	N	NN	NN
10	40	16	16	40	35	29	76	87	75	4	2	2
20	40	16	16	40	35	39	76	87	75	4	2	2
30	40	16	16	40	35	49	76	87	75	4	2	3
40	50	16	16	50	40	59	86	97	85	4	2	3
50	30	51	21	30	30	69	101	112	100	6	3	4
75	70	61	26	35	55	94	151	162	150	6	4	5
100	70	109	39	35	65	119	199	210	198	6	5	4
125	70	159	19	35	70	144	249	260	248	8	7	5

Ø20

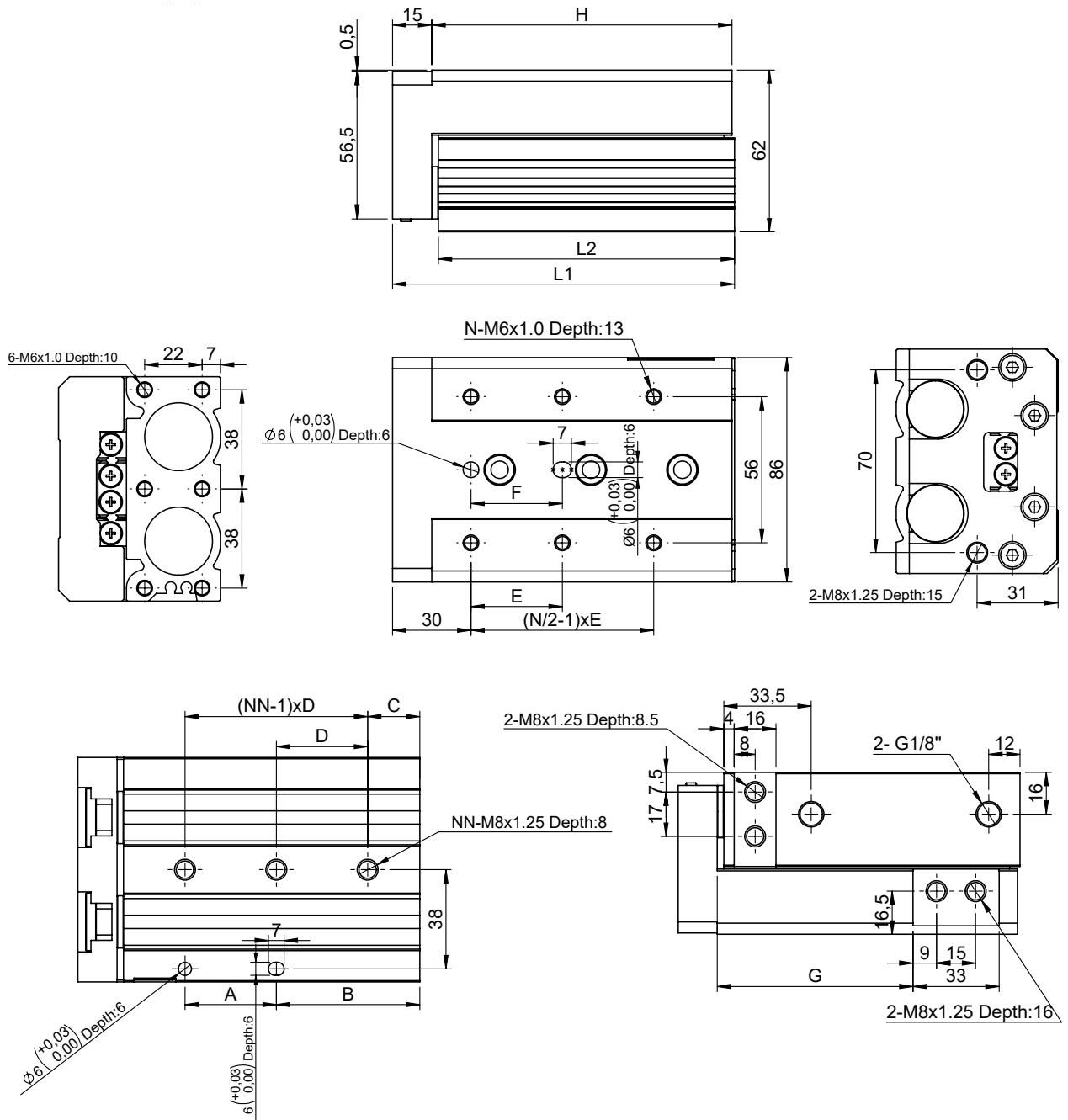
PRYD-PRYD-AS Ø20



Cylinder Ø (mm)	A	B	C	D	E	F	G	H	L1	L2	N	NN
10	35	25	15	45	50	40	31	83	97	81.5	4	2
20	35	25	15	45	50	40	41	83	97	81.5	4	2
30	35	25	15	45	50	40	51	83	97	81.5	4	2
40	35	35	15	55	60	50	61	93	107	91.5	4	2
50	35	50	15	35	35	35	71	108	122	106.5	6	3
75	70	54	19	35	60	60	96	147	161	145.5	6	4
100	70	107	37	35	70	70	121	200	214	198.5	6	5
125	76	155	41	38	70	70	146	254	268	252.5	8	6
150	88	195	19	44	80	80	171	306	320	304.5	8	7



Ø25



Cylinder Ø (mm)	A	B	C	D	E	F	G	H	L1	L2	N	NN
10	45	22	22	45	50	40	35	92	108	90.5	4	2
20	45	22	22	45	50	40	45	92	108	90.5	4	2
30	45	22	22	45	50	40	55	92	108	90.5	4	2
40	55	22	22	55	60	50	65	102	118	100.5	4	2
50	35	55	20	35	35	35	75	115	131	113.5	6	3
75	70	61	26	35	60	60	100	156	172	154.5	6	4
100	70	102	32	35	70	70	125	197	213	195.5	6	5
125	76	154	40	38	75	75	150	255	271	253.5	8	6
150	80	190	30	40	80	80	175	295	311	293.5	8	7



г. Казань, ул. А. Кутуя, д. 86Д тел: +7 800 500 48 89
www.pemaks.ru order@pemaks.ru